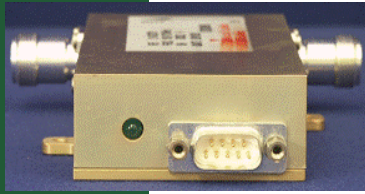


Voltage Linear Power Detector



DrawCom's Voltage Linear Power Detector is a compact assembly using a single printed circuit board which contains a dual directional coupler, forward and reverse RF detectors and a DC amplifier. The unit uses surface mount technology throughout.

Different versions of the unit are available, capable of working over a wide range of power and frequency and these will be incorporated into this specification from time to time as the need arises.

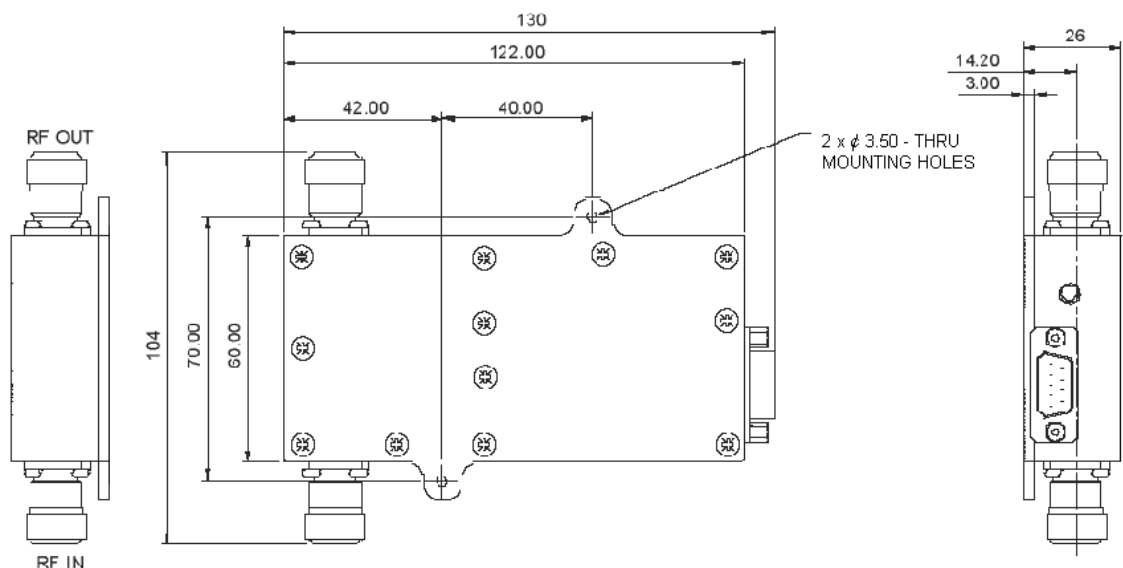
The function of the unit is to provide a DC Voltage proportional to the Forward and Reflected power flowing in an RF Coaxial Line. Such units are commonly used to monitor the performance of Radio Base stations and associated Antennas Combiners etc.

A notable feature of this detector is that it accurately reads the **average** power of multiple carrier signals whereas conventional detectors indicate the **peak envelope** power.

The unit runs from a single +12 Volt supply rail, and requires 20mA maximum current.

The unit is provided with a green LED power indicator, polarity protection, and DC connections are via a filtered 9way D-type male connector (Pin)

Note: Either detector sensitivity available at Fwd/Rev ports to special order.



Voltage Linear Power Detector (cont.)

Selection Guide

Part No.	21-002703	21-002701	21-002702
Frequency Range	50-100 MHz	150-175 MHz	380-470 MHz

Specifications

Impedance	50 Ω
Main Line Return Loss	>24 dB
Power Handling	400W (CW)
Insertion Loss	<0.1dB
Supply Voltage	10-16V DC -Ve GND
Supply Current	<20mA
Size	121x60x25 mm (L x W x H)
RF Connectors	N-Type Female Connectors
DC Connectors	9 way 'D' male
Operating Temperature	-10°C to +55°C
D-type male connector Pin 1	+12V DC
D-type male connector Pin 2	0V (Case Ground)
D-type male connector Pin 3	Forward Detector Out 1-5V @ 10mV/Watt
D-type male connector Pin 4	Reverse Detector Out 1-5V @ 40mV/Watt