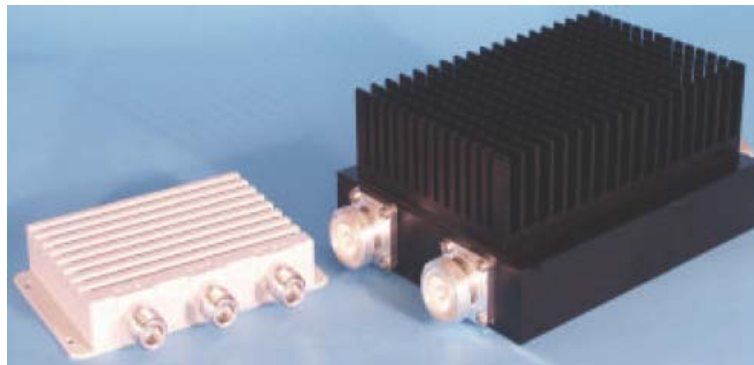


BTS Combiners

DrawCom *BTS Combiners* have been produced as a cost-effective solution to the requirement for combining two BTS into a single antenna and feeder system. The units allow the combining of the transmit signals from the base stations while also dividing the receive signals from the antenna to those base stations. The combiner utilises a 3dB hybrid coupler offering high isolation between the two BTS ports and are rated for two carriers each of 10 watts or 60 watts respectively. The design and the quality of the components used give the combiners a particularly good intermodulation performance.

The BTS Combiners are IP65 rated and designed to be mounted outdoors. They are easy to install, require no maintenance and are very reliable.

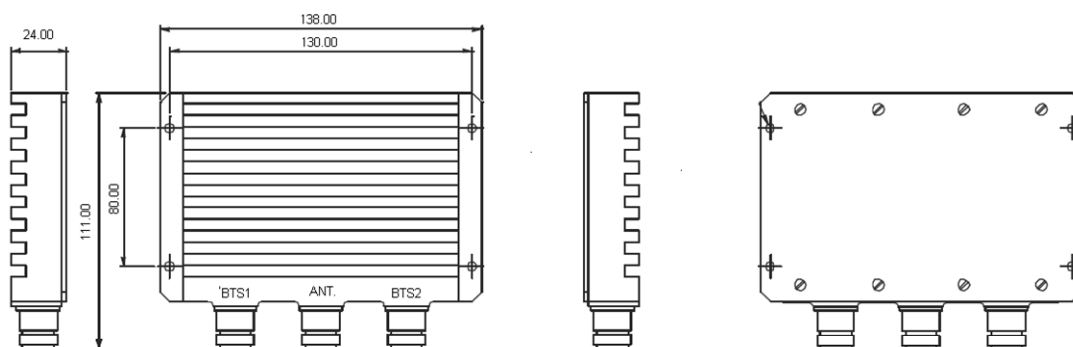
- Combines 2 x 60W carriers or 2 x 10W Carriers
- Very good Intermod Performance at BTS port
- Compact and lightweight
- Easy to install
- IP65 rated
- High isolation BTS - BTS
- MTBF > 500,000 hours



BTS Combiners (cont.)

Selection Guide: GSM900 Combiners

Part No.	07-009201	80-001801
Transmit Path		
Frequency Range	925 - 960 MHz	925 - 960 MHz
Insertion Loss	3.5dB	3.5dB
Antenna port Return Loss	18dB min	18dB min
BTS port return loss	18dB min	18dB min
Isolation BTS port to BTS port	25dB Min	20dB Min
Power Handling	2 x 10W	2 x 60W 240 W peak (10mS)
Intermodulation 2 x 10W Un-modulated Carriers		
Antenna Port 880 - 915MHz	-100dBm Max	-100dBm
BTS Port 880 - 915MHz	- 116dBm	-116dBm
BTS Port 925 - 960MHz	- 110dBm	-100dBm
Outside these bands	-38dBm	-38dBm
Receive Path		
Frequency Range	880 – 915MHz	880 – 915MHz
Insertion Loss	3.5dB Max	3.5dB Max
Antenna port return loss	18dB min	18dB min
BTS port return loss	18dB min	18dB min
Power Division imbalance	0.5dB max	0.5dB max
Mechanical		
Dimensions (mm)	138 x 92 x 24	195 x 81 x 237.5
Weight	0.485kg	2.5kg
Connectors	Type-N female	7-16 female
Enclosure	Aluminium	Aluminium, Black
Environmental		
Protection	IP65	IP65
Operating Temperature	-40 to +60°C	-40 to +60°C
Lightning Specification	IEC 1312-1	IEC 1312-1

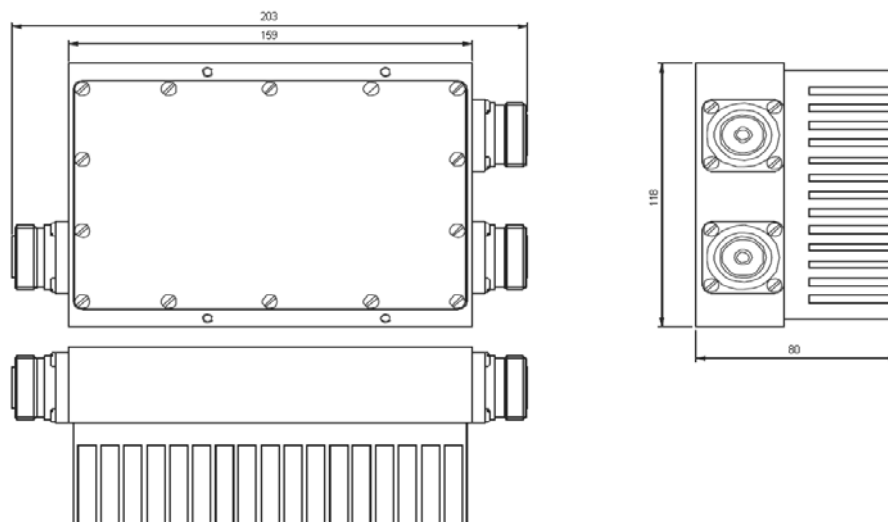


Typical Low Power BTS Combiner outline

BTS Combiners (cont.)

Selection Guide: GSM1800 Combiners

Part No.	07-009301	80-044504 (Type-N)
Transmit Path		
Frequency Range	1805 - 1880 MHz	1805 - 1880 MHz
Insertion Loss	3.5dB	3.5dB
Antenna port Return Loss	18dB min	18dB min
BTS port return loss	18dB min	18dB min
Isolation BTS port to BTS port	25dB Min	25dB Typical
Power Handling	2 x 10W	2 x 60W 240 W peak (10mS)
Intermodulation 2 x 10W Un-modulated Carriers		
Antenna Port: 1710 – 1785MHz	-100dBm Max	-100dBm
BTS Port: 1710 – 1785MHz	- 116dBm	-110dBm
BTS Port: 1805 – 1880MHz	- 110dBm	-100dBm
Outside these bands	-38dBm	-38dBm
Receive Path		
Frequency Range	1710 – 1785MHz	1710 – 1785MHz
Insertion Loss	3.5dB Max	3.5dB Max
Antenna port return loss	18dB min	18dB min
BTS port return loss	18dB min	18dB min
Power Division imbalance	0.5dB max	0.5dB max
Mechanical		
Dimensions (mm)	138 x 92 x 24	195 x 81 x 237.5
Weight	0.485kg	2.5kg
Connectors	Type-N	Type-N or 7-16
Enclosure	Aluminium	Aluminium
Environmental		
Protection	IP65	IP65
Operating Temperature	-40 to +60°C	-40 to +60°C
Lightning Specification	IEC 1312-1	IEC 1312-1

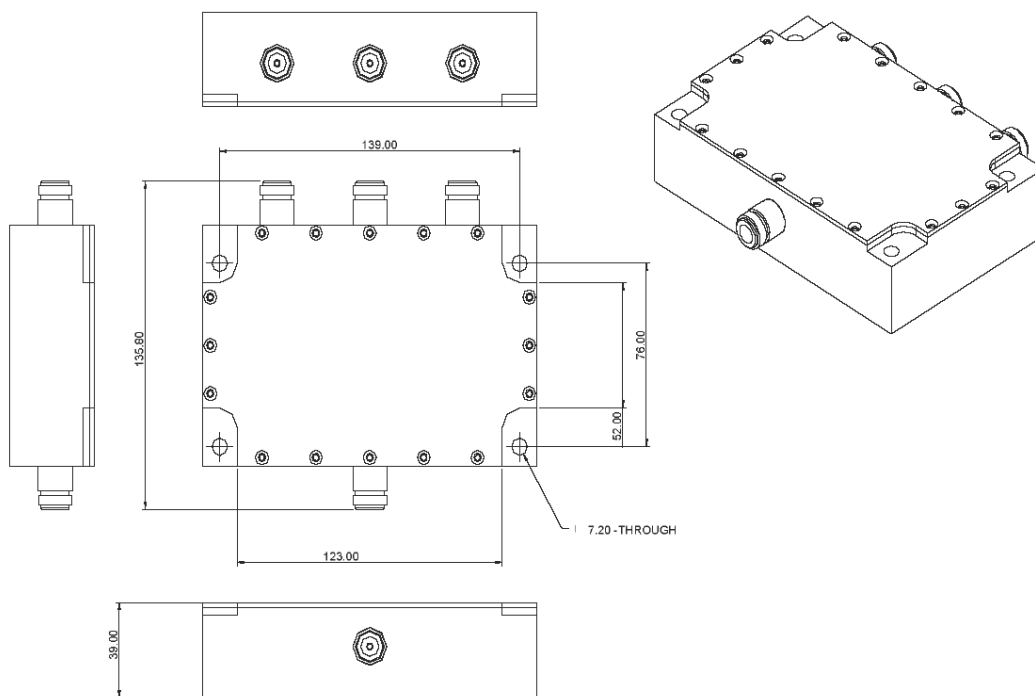


Typical High Power BTS Combiner outline

BTS Combiners (cont.)

Selection Guide: Wideband Splitter/combiners

Part No.	07-014401	06-001701
Frequency Range	1700 - 2200 MHz	1700 - 2200 MHz
No. Outputs	2-way	3-way
Insertion Loss	<3.5dB	<5.3dB
Isolation	>25 dB	≥20dB
Return Loss	18dB Min	20dB Min
Power Rating as a Splitter	200 Watts	200 Watts
Power Rating as a Combiner	10 Watts per port	5 Watts per port
Temperature Range	-30 to +65°C	-20 to +60°C
Mechanical	Wall mount case	Wall mount case
RF Connectors	Type-N female	Type-N female
Dimensions (mm)	138 x 110 x 24	155 x 140 x 39



06-001701 General arrangement

Print Date: 29/05/2009

All information contained in the present data sheet is subject to confirmation at time of ordering.

Coax Components